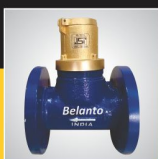


# Belanto®

WATER METER



15mm to 1500mm





B.M. WATER METERS is India's leading and quality oriented company engaged in manufacturing and exporting of Water Meters and Electromagnetic Flow Meters. The company was incorporated in the year 1980 in the field of Water Meters under the brand name of 'KRANTI' and 'BELANTO' has acquired an established reputation and goodwill in every corner of market for its sturdy construction, international quality and all round performance Today, the company is accredited with ISO 9001 : 2015, ISO 14001 : 2015, ISO 18001 : 2007 NSIC, ISO 4064, ISI certification and crisil rating.

With state of the art manufacturing facility, presently we are manufacturing meters with in-house designing and testing facility and are also in process of adding more lines. We are currently exporting our products to over 15 countries worldwide and our production line confirms to the following standard.....



Belanto Water Meters ISI Marked Spiral Water Meters (Bulk Enclosed type) Flange end Class-A, IS: 2373 : 1981 Size are Available from 40mm to 1000mm, Class B Woltman Type (Removable Mechanism) flange end with Magnetic Drive, hermetically sealed as per ISO : 4064 Size available from 40mm to 600mm we are manufacturing 'T' type strainer (dirt box) Size : 40mm to 1000mm Belanto make screwed water Meters as per IS : 779 : 1994 and ISO:4064/1 SIZE 15mm to 50mm Belanto/ Kushal Flow Meters are flame proof IP65,IP67,IP68 Heaving range Electromagnetic Flow Meters, Ultrasonic Flow Meters, Insertion Flow Meters Turbine Flow Meters, Battery operated Flow Meters, Oil Flow Meters, AMR Water Meter. Our Meters are recommended for water, refineries, petrochemicals, Sugar Mills, Textile Mills, Paper Mills, ETP, STP Plant, Milk Plant, Diesel, Vegetable Oil and other industrial and commercial applications.

Our product are widely marketed and have won praise from all over for its achievements & contribution towards developments because we never compromise with the quality. Our Vision is to achieve number one position in Indian as well as in global market and we believe this is achievable by proactive thinking, accurate planning and relentless pursuit of excellence with customer's needs.



We offer our B.M. Products to our worthy National and International customers, I am pleased to assure that our unit is working with a mission which covers not only earning profit but also customer satisfaction by supplying the best "Water Meters" product at the most reasonable price.

I truly believe that we will positively be the recognized industry leader by providing unsurpassed customer service, quality products, innovative technology and business ideas. Our firm determination is to provide true worth to the customers to their entire satisfaction.

I also believe that development and quality is like a circle which knows no end and this gives a strong base to my decision for upgrading our company's infrastructure.

**Kushal Sharma**  
Partner



**Think About  
What You Could Save  
When You **Save Water.****

*Certificate & Approvals*

ISI CERTIFICATIONS

ISO CERTIFICATIONS

ZED CERTIFICATIONS

MSME (SSI)

NSIC REGD.

FCRI

CRISIL

EEPC

GWSSB (GUJARAT)

MJP

MCGM

BMC

CIDCO

DELHI JAL BOARD



## Awards & Recognition



Award Presented by  
H.E. Governor of Himachal,  
Acharya Dev Vrat Ji.



Proud Winner of  
"PRIDE OF PUNJAB" Award.  
Awarded by ZEE Punjabi Channel



04th September 2017 (Monday), was a Remarkable and Most Memorable day in the history of our Long Journey, when we were awarded as "Pride Of Punjab". This gave us a feeling that someone who is Master and Marked as Leader in the Field of Measurement, has measured himself.

In Prestigious presence of Mr. Charanjeet Singh Channi (Cabinet Minister, Punjab), the Award was presented in a Gala function held at J.W. Marriot, Chandigarh.

On behalf of B.M. Water Meters, Mr. Avinash Chander Sharme & Mr. Kushal Sharma were present on this occasion. After ceremony, Mr. Avinash Chander Sharma said that our Principal Motto is to serve our Great Nation with producing & providing Quality Products, and we are proud to present Zero Defect Product. Mr. Kushal Sharma said that our policy is to constructive participation in Growth of our Society, & Nation.

We are charged enough to avail Top position in South Asia Market with Maximum of Experts.

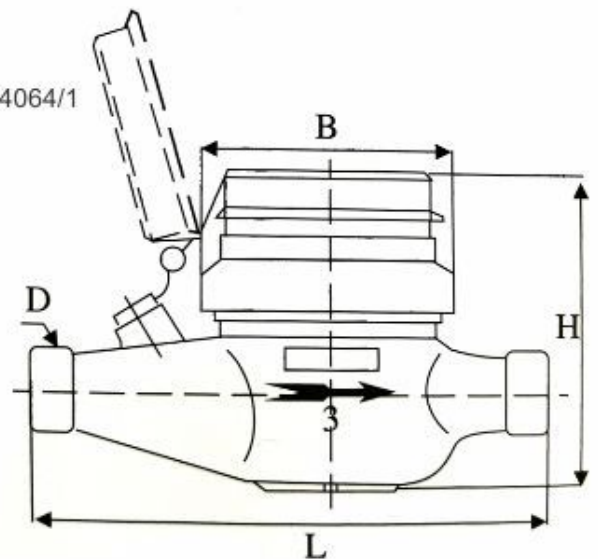
## Network across the Country





## SALIENT FEATURES

- Multijet, super dry, straight reading type, hermetically sealed water meter with magnetic Driven totaliser.
- Standard : it complies with IS: 779/94 and class B of ISO:4064/1
- Brass body and coupling Nut Nipple
- Plastic cap and ring
- Sealed against tampering
- Leakproof, totally dry
- Measuring unit is kiloliters
- Maximum Reading 99999.9999



### WORKING CONDITIONS

Water Temperature  $\leq 45^{\circ}\text{C}$   
 Water Pressure  $\leq 1\text{MPa}$   
 Maximum Pressure-16 Bar

### ACCURACY :

From minimum flow rate ( $Q_{min}$ ) Inclusive to transitional flow rate ( $Q_t$ ), Exclusive  $\pm 5\%$   
 From transitional flow rate ( $Q_t$ ) Inclusive to Maximum flow rate ( $Q_{max}$ ), Exclusive  $\pm 2\%$

### PERFORMANCE DATA

Nominal Size DN (mm)	Minimum Reading Quantity In Litres	Hydro Static Test	Maximum Flow Rate in $Q_{max}$ -Lts./Hr	Tominal Flow rate $Q_n$ -Lts/hr	Transitional flow rate $Q_n$ .lts/hr	Minimum Starting Flow $Q_{min}$ -lts/hr
15	0.1	2.0MPa	3000	1500	120	30

### METER DIMENSIONS

TYPE	Size (mm)	Length mm L	Width (mm) w	Length Including Nipple $\pm 5\%$	Height (mm) H	Conneting Thread D
Multi Jet	15MM	165	81	250	100	3/4"

### Features :

Dry dial, vacuum sealed to keep clean reading for long time  
 available for cold water  $0-45^{\circ}\text{C}$  and hot water  $0-45^{\circ}\text{C}-90^{\circ}\text{C}$

Magnetic transmission

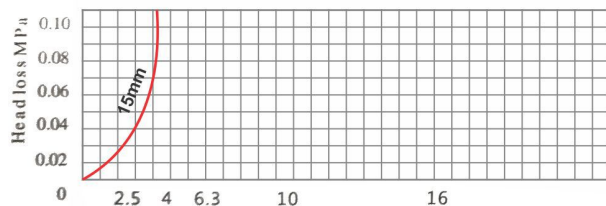
Ant magnetic type

### Upon request:

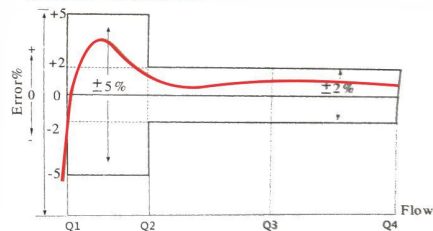
Remote Transmission device can be added upon request

Pulse output 10L/Pulse

### Head Loss Curve:



### Error Curve:



## Major Clients





Bisleri



Walmart



JACOBS

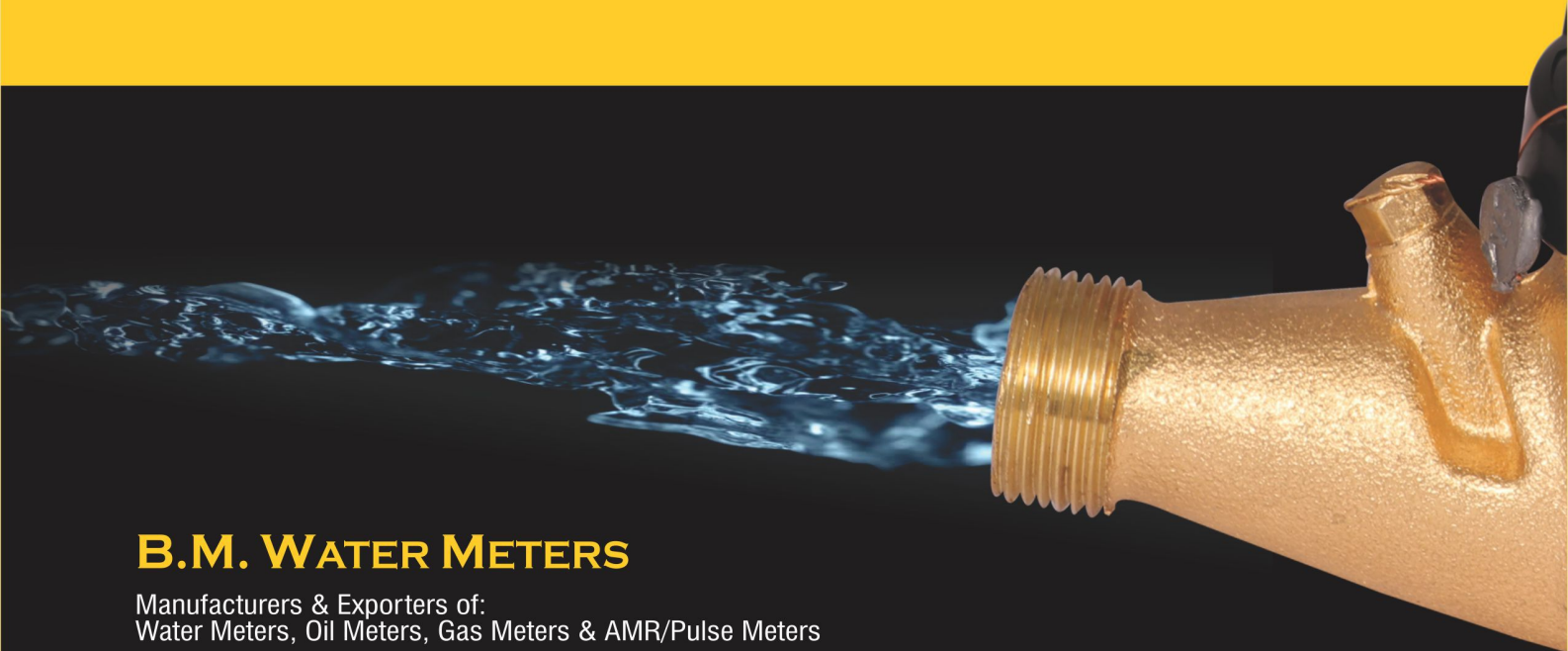


**Kajaria**  
TRANSFORM YOUR WORLD



**KRANTI**  
Water Meter  
Bulk Enclosed / Woltman Type

**KUSHAL**<sup>®</sup>  
Flow Meters



## **B.M. WATER METERS**

Manufacturers & Exporters of:  
Water Meters, Oil Meters, Gas Meters & AMR/Pulse Meters

Village Salem Pur Musalmana,  
Near Petrol Pump, Jalandhar Punjab  
Ph: 0181-2602556, 2604556, 2603556  
Mob. : 91-98761-10500 Email: [info@bmwatermeters.com](mailto:info@bmwatermeters.com)

**[www.bmwatermeters.com](http://www.bmwatermeters.com)**